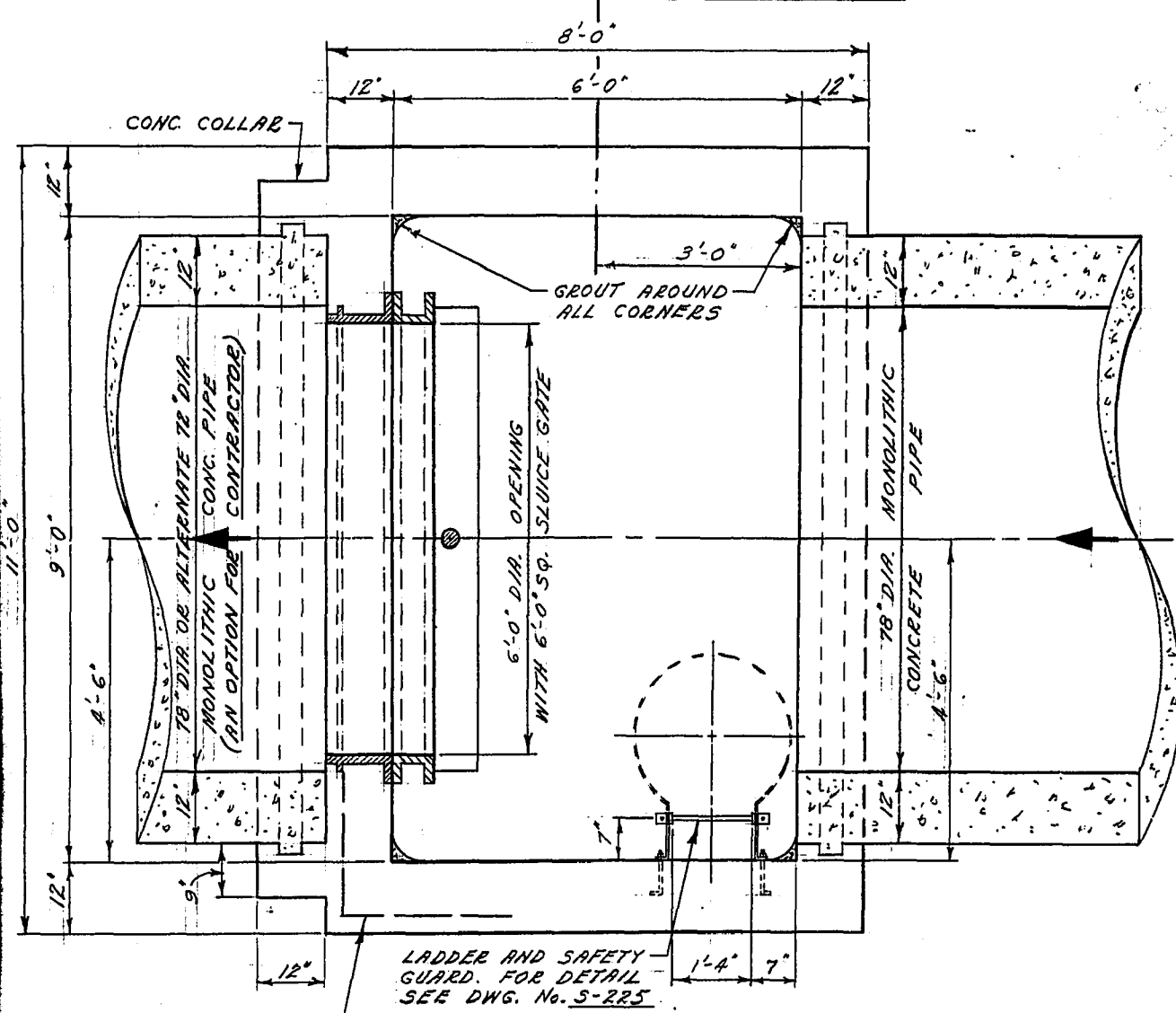
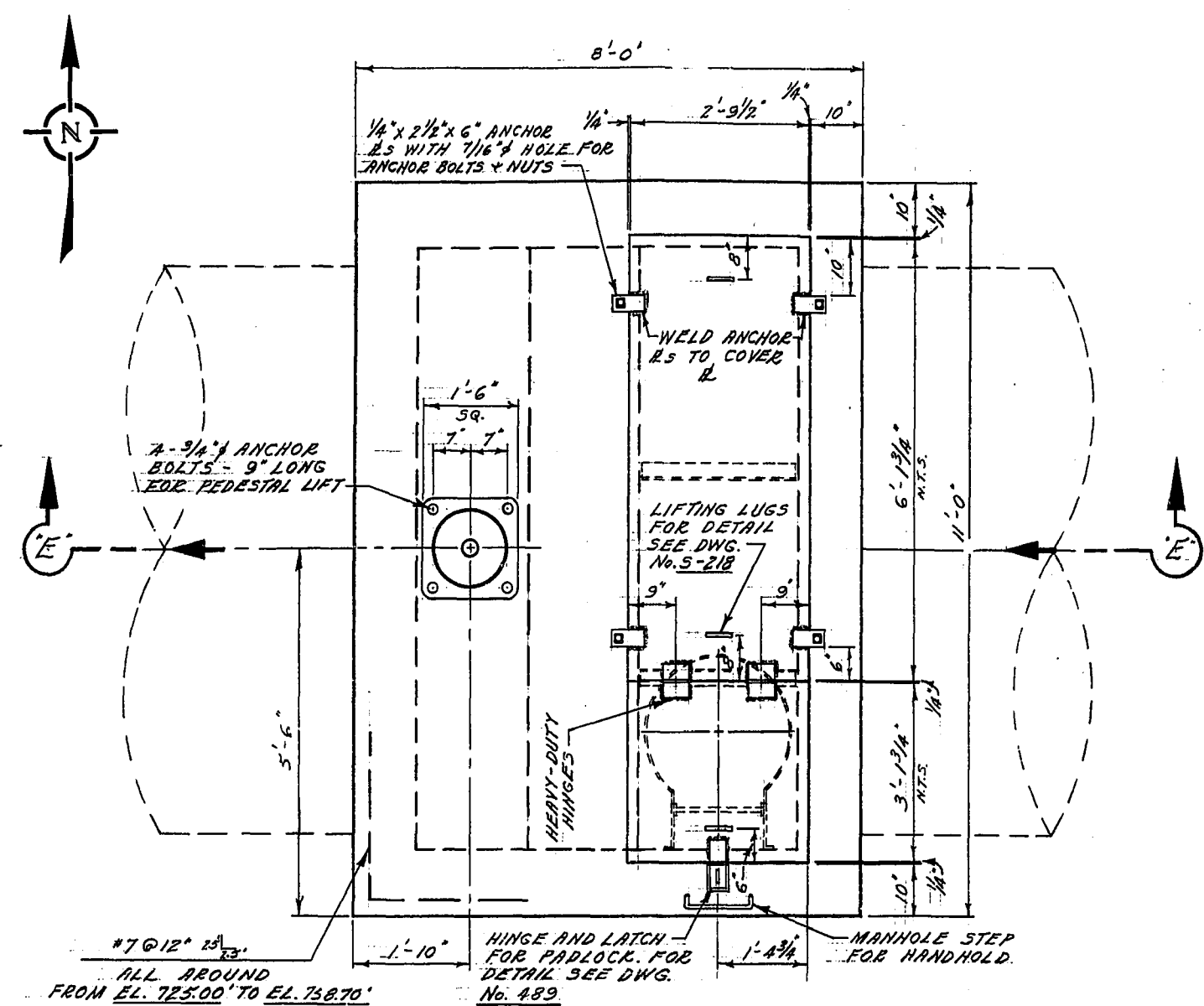


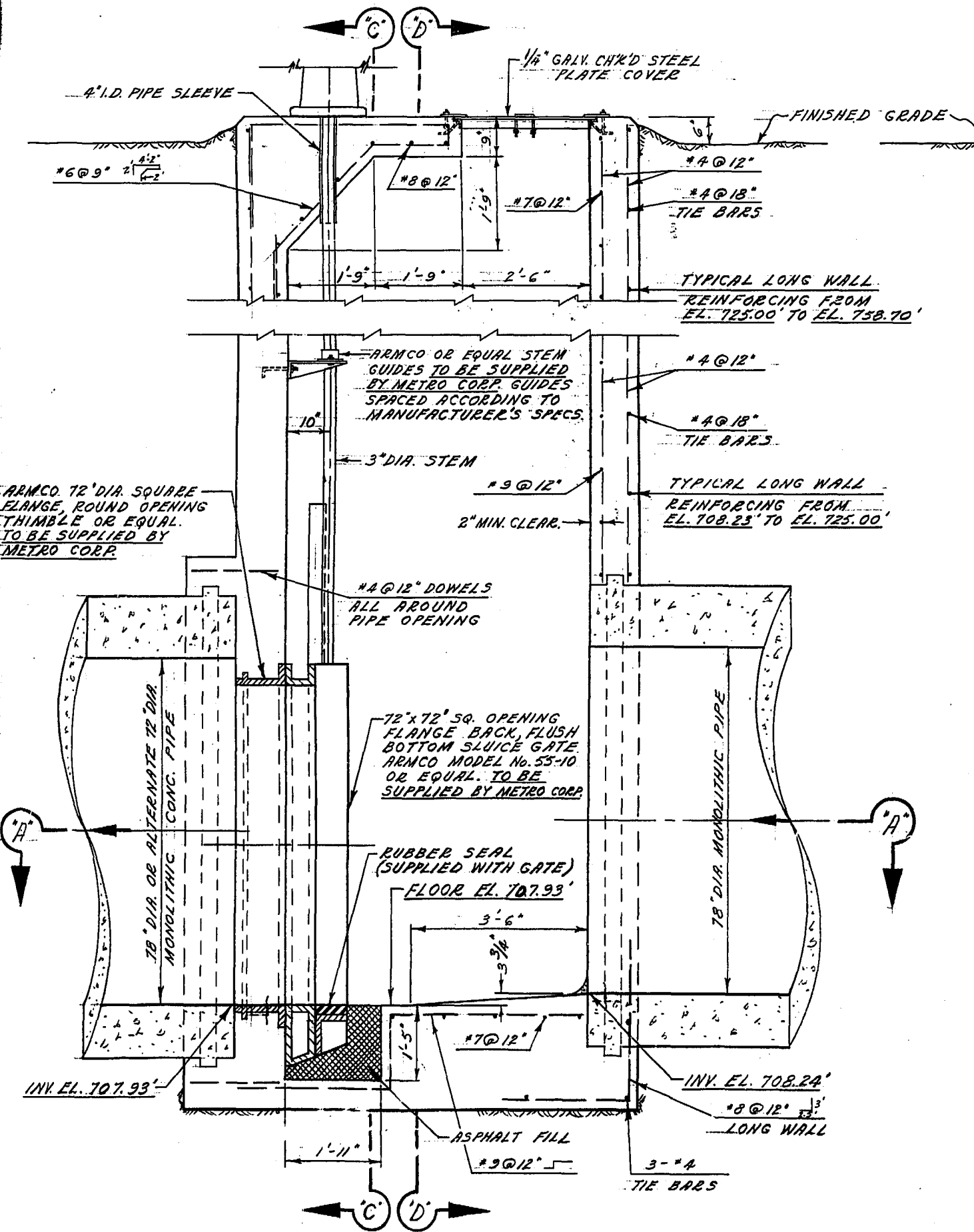
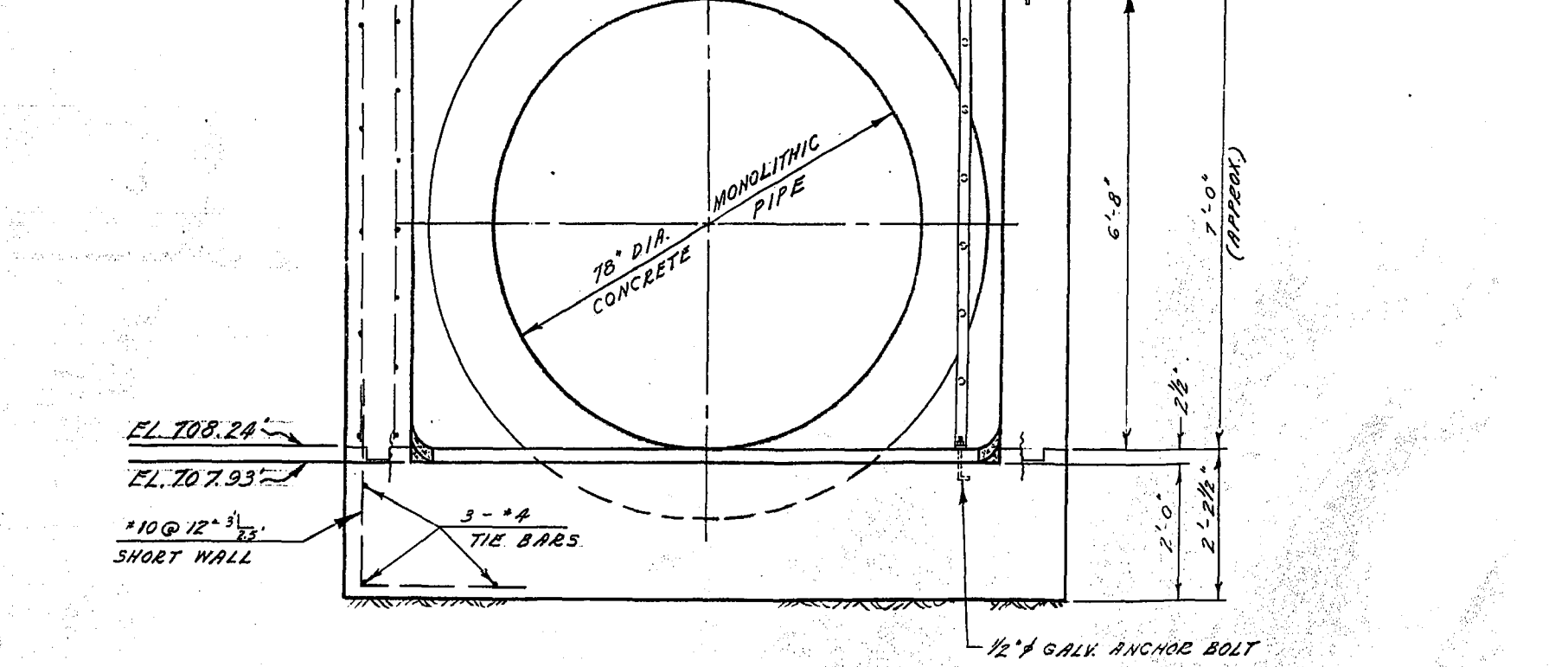
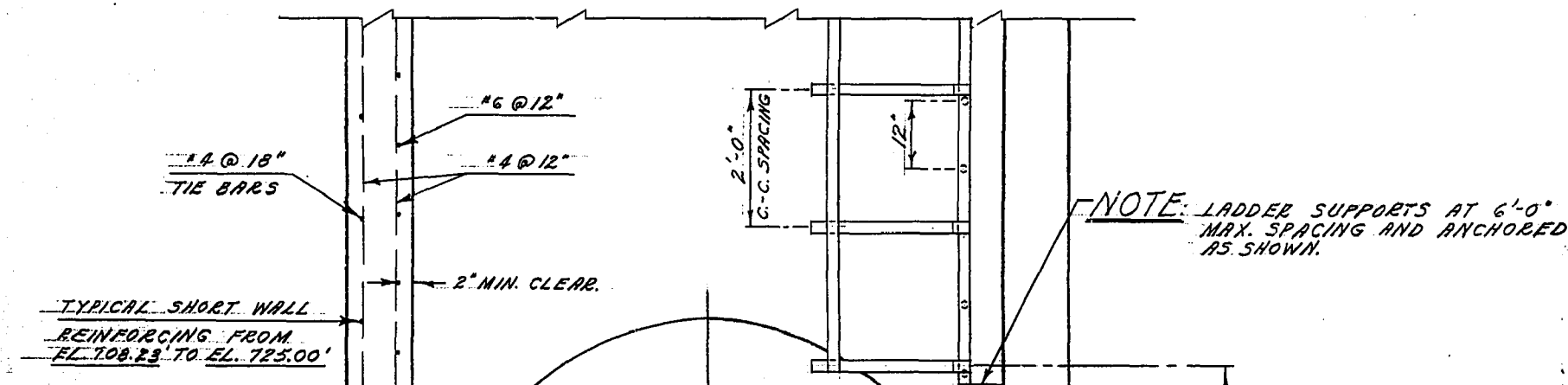
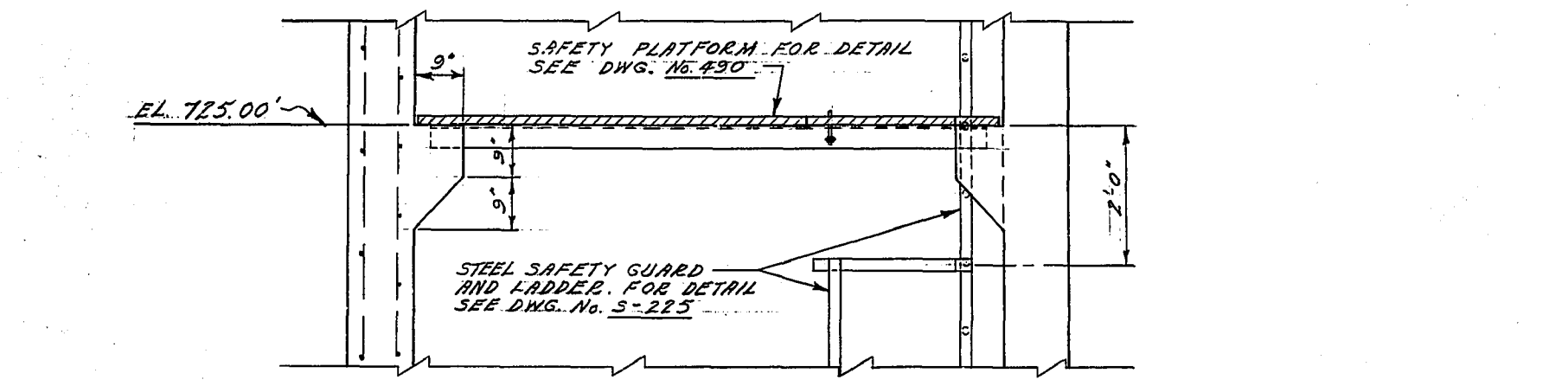
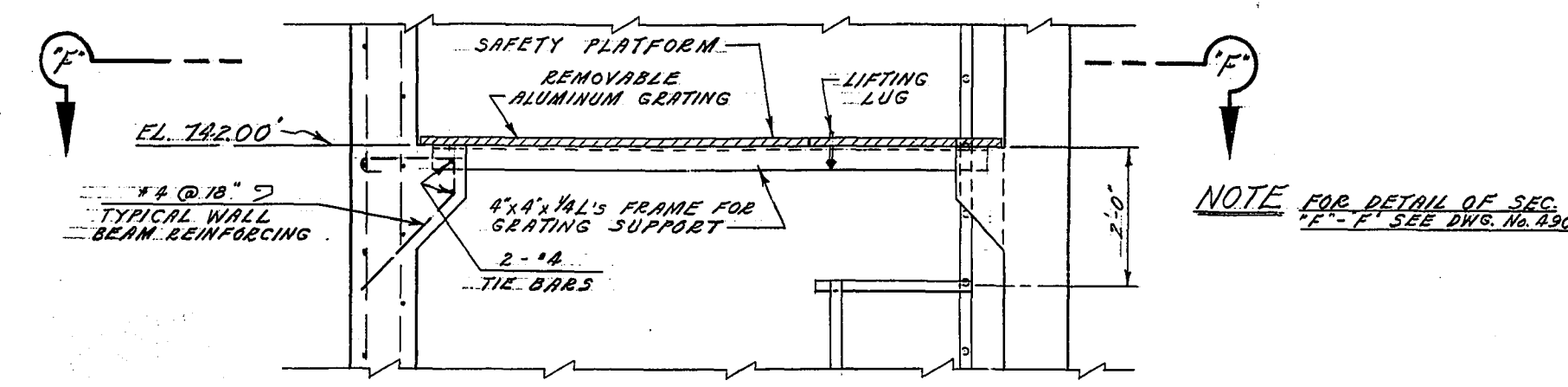
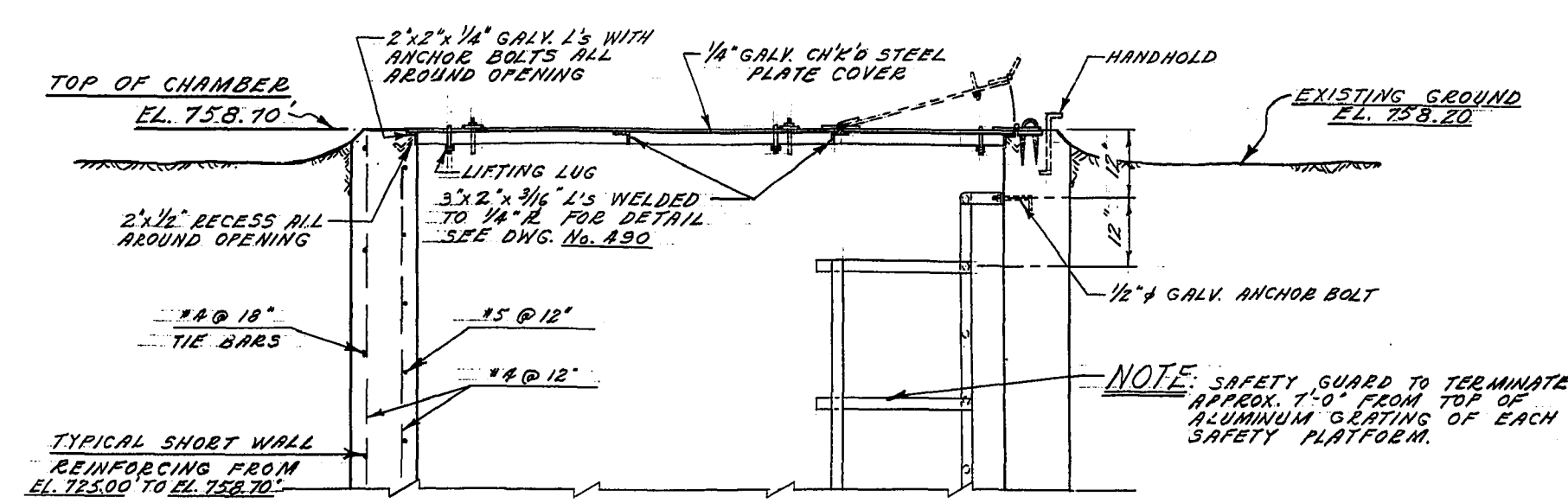
OF GATE CHAMBER
STA. STA. 0+75.60



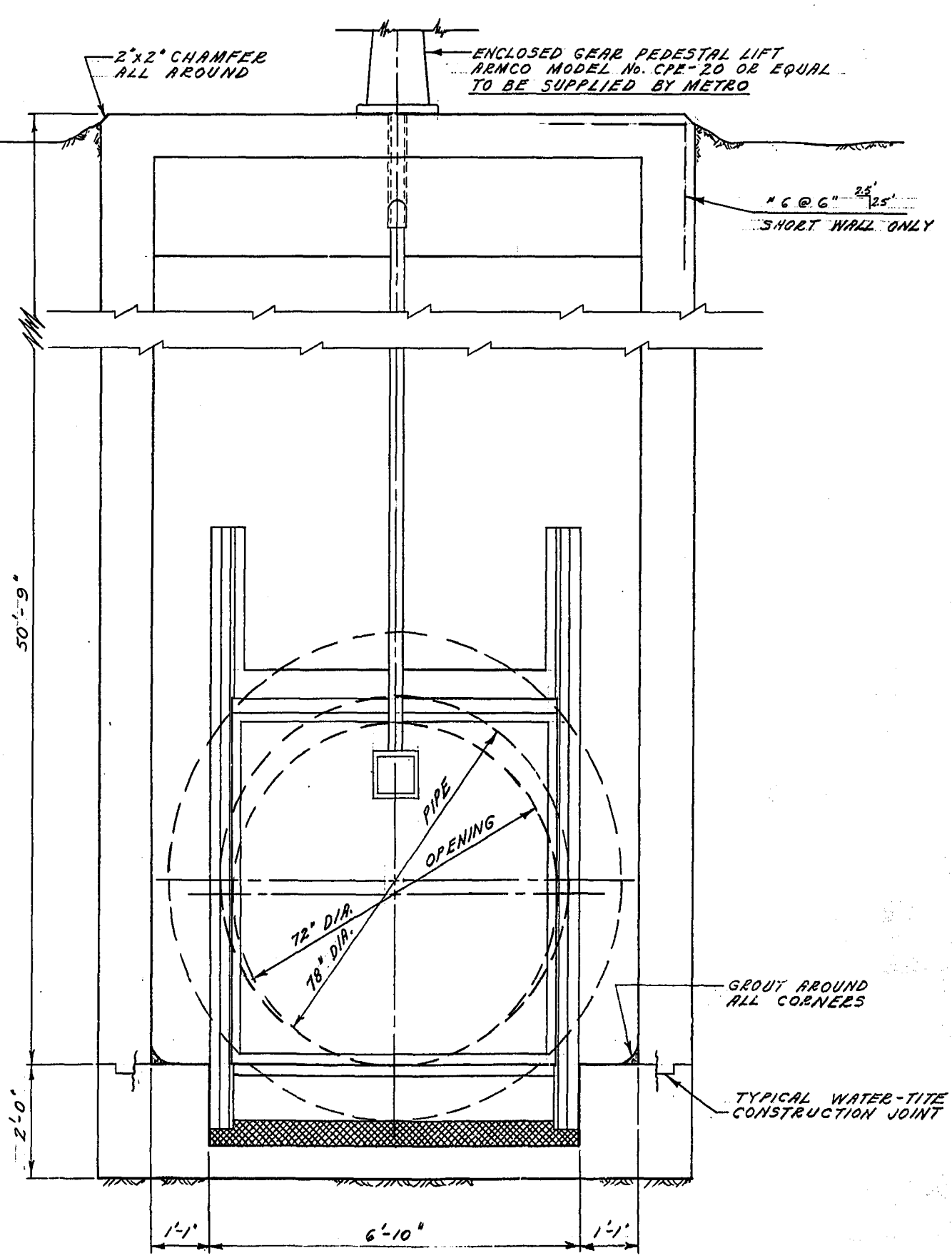
SEC. "A"-"A"
FLOOR PLAN



SEC. "B"-"B"
ROOF PLAN



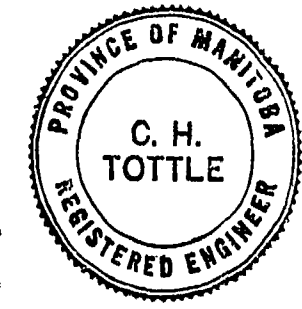
SEC. "E"-"E"



SEC. "C"-"C"

SURVEYED & PLAN CHECKED
BY APPROVED AS BUILT
BY V.D. D.S.
APR/72

SEC. "D"-"D"



THE METROPOLITAN CORPORATION
OF GREATER WINNIPEG
WATERWORKS & WASTE
DISPOSAL DIVISION
A. PENMAN - DIRECTOR

SEWAGE DISPOSAL DEPT.
NORTH-EAST INTERCEPTOR
STAGE I
GATE CHAMBER

DRG. C.H. TOTTLE CH'KD. AT
DRN. S.K. DATE 25 MAR 70
ENG. DES. [Signature]
ENG. OPR. [Signature]
APPROV. [Signature]

SCALE
1/2" = 1'-0"
DRAWING NO.
489